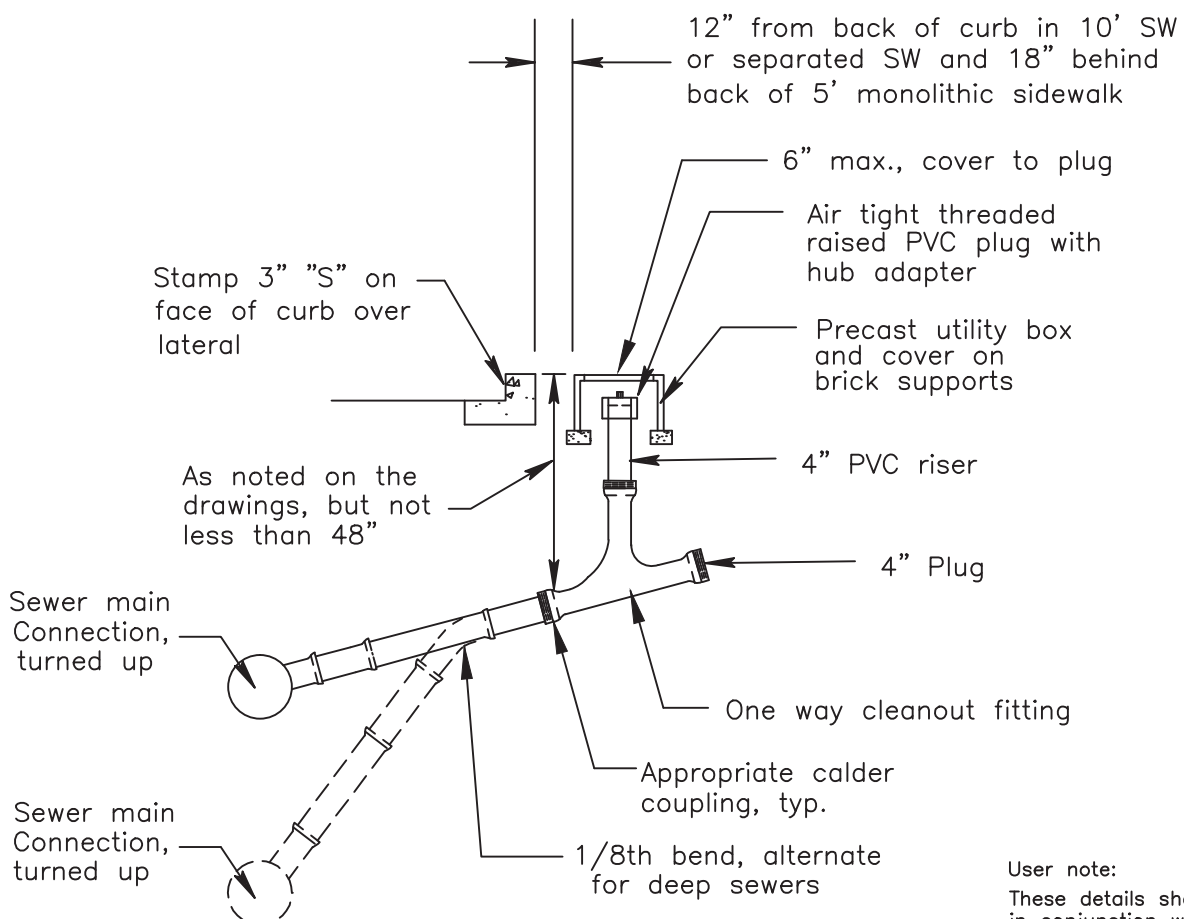


PLAN




PROFILE

User note:
 These details shall be used in conjunction with all the City standard details and specifications. Refer to the City standard specifications for the materials, installation, testing, protective coatings, and other requirements.

S05A.DWG			
	Date:	By:	Rev:

SANITARY SEWER LATERAL

CITY OF LIVERMORE
 STANDARD DETAIL

Dwn: FY	Date: May-13	No.
Ckd: Spec. Committee	Scale: None	S-5A
 City Engineer		